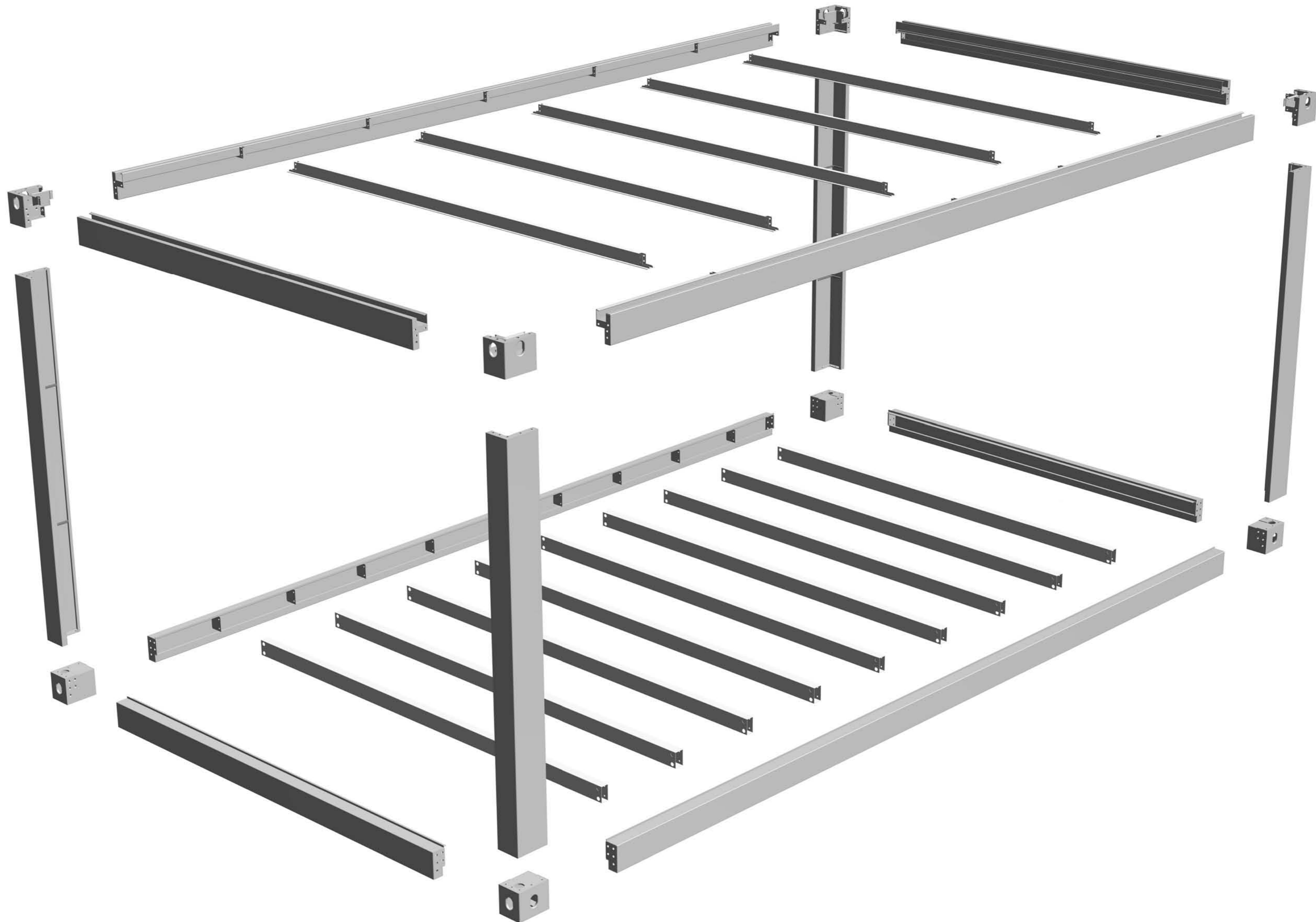


# Detachable Container House



# 10x20A detachable container house design information

## General info:

Standard size :6000x3025mm, Height:2591mm, Indoor clear height:2320mm, 75mm EPS wall panel ,70mm rock wool sandwich panel as roof ,floor with 18mm fiber cement board+PVC floor;

## Design load

Wind load: 210km/h                      Snow load 1.00kN/m<sup>2</sup>                      chassis live load 2.50kN/m<sup>2</sup>

## Material:

1. Frame: All the profile are made of Q355 low alloy carbon structural steel, hot-dip galvanized treatment, with electrostatic powder coating. All the frame as detachable type, need install at site
2. Roof: 70mm rock wool sandwich panel, density of rock wool is 120kg/m<sup>3</sup>, both side are 0.45/0.40mm color steel sheet, steel sheet is Aluminum Zinc galvanized AZ50g/m<sup>2</sup>+PE coating:15/5um.
3. Outside Wall : 75mm EPS sandwich panel , EPS density:12kg/m<sup>3</sup>, colored steel sheets are 0.40mm, wall panel is double-side laminating. Steel sheet is Aluminum Zinc galvanized AZ50g/m<sup>2</sup>+PE coating:15/5um.
4. Floor: 1.8mmPVC floor+18mm fiber cement board. Color option: Blue spot/wooden grain.
5. Door: D1:Steel security door:960x2080mm
6. Window: W1:PVC single glazed sliding window with insect-proof screen 980x1150mm
7. Electrical fittings: standard fits with 2\*30w LED ceiling lamp (L=1200mm) , 1\*single switch, 2\*10A socket, 1\*8 circuits, distribution box(inside with 1\*2P 32A main circuit breaker(with leakage protection) , 1\*1P 10A Lighting circuit, 2\*1P socket circuit) . 1\*32A 3 grade outdoor waterproof inlet socket.

## Option:

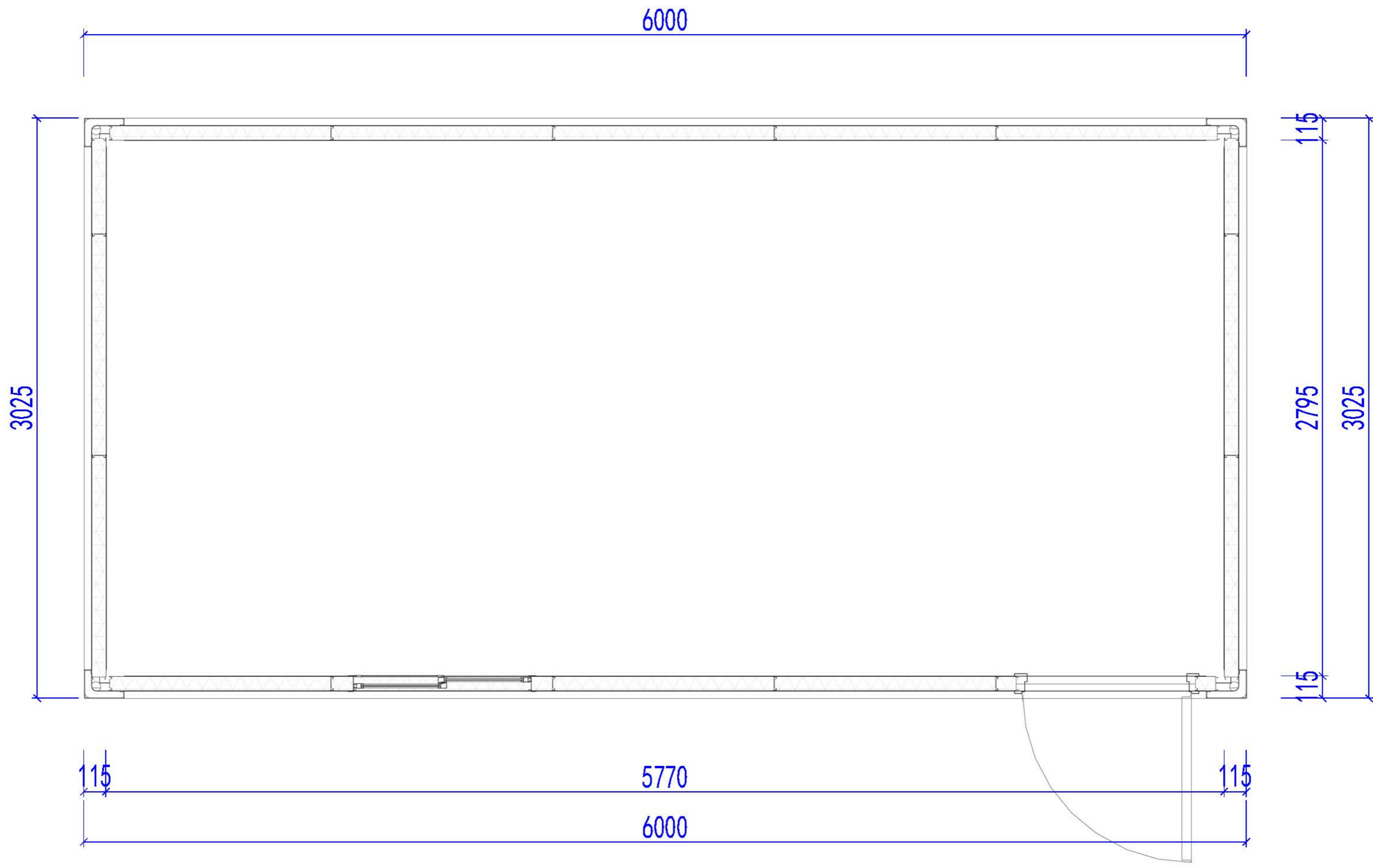
1. Outside height can be 2791/ 2991mm
2. Length can be 7038 (23ft) mm/8020mm (26ft) /9000mm (30ft)
3. Wall panel can be 50mm、60mm、100mm PU or rock wool sandwich panel



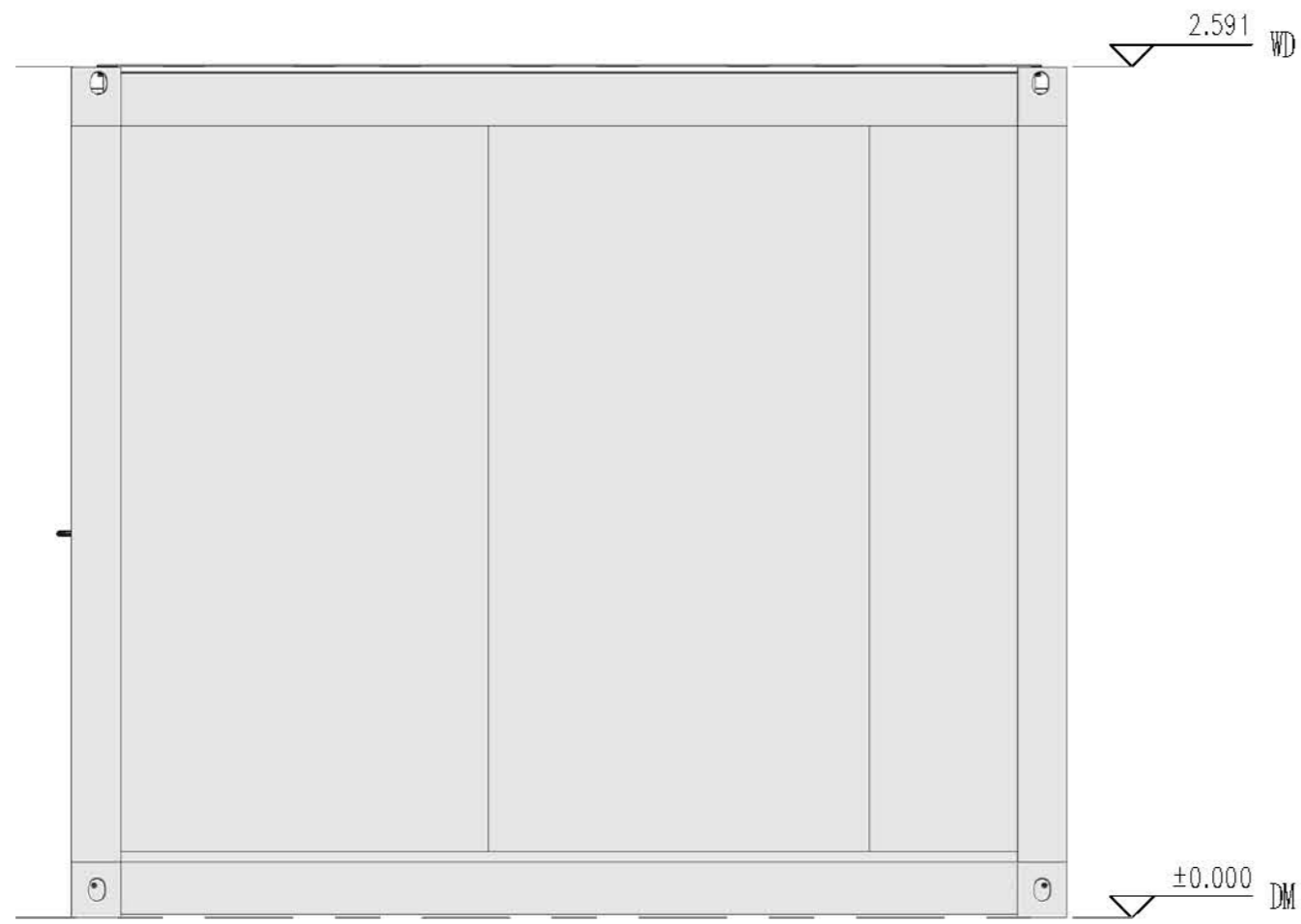




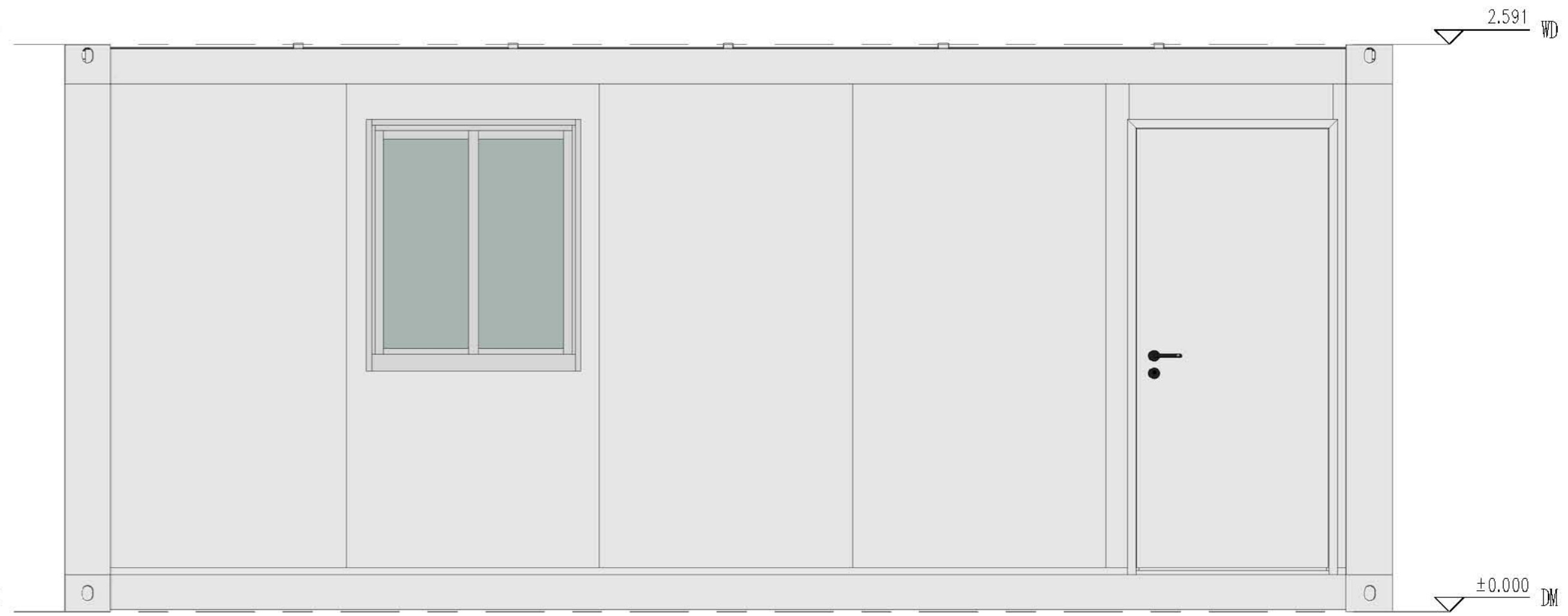




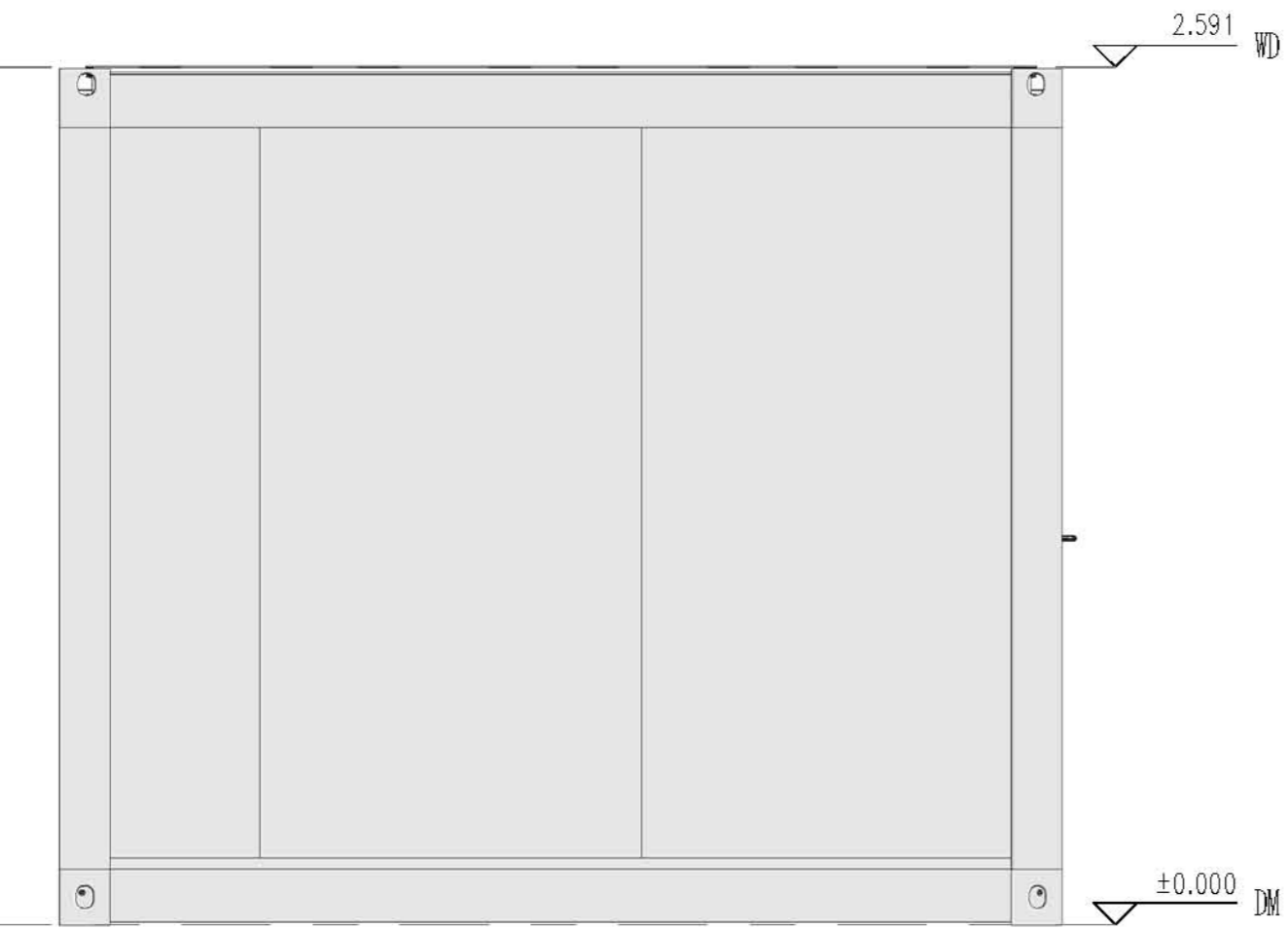
Layout



East view



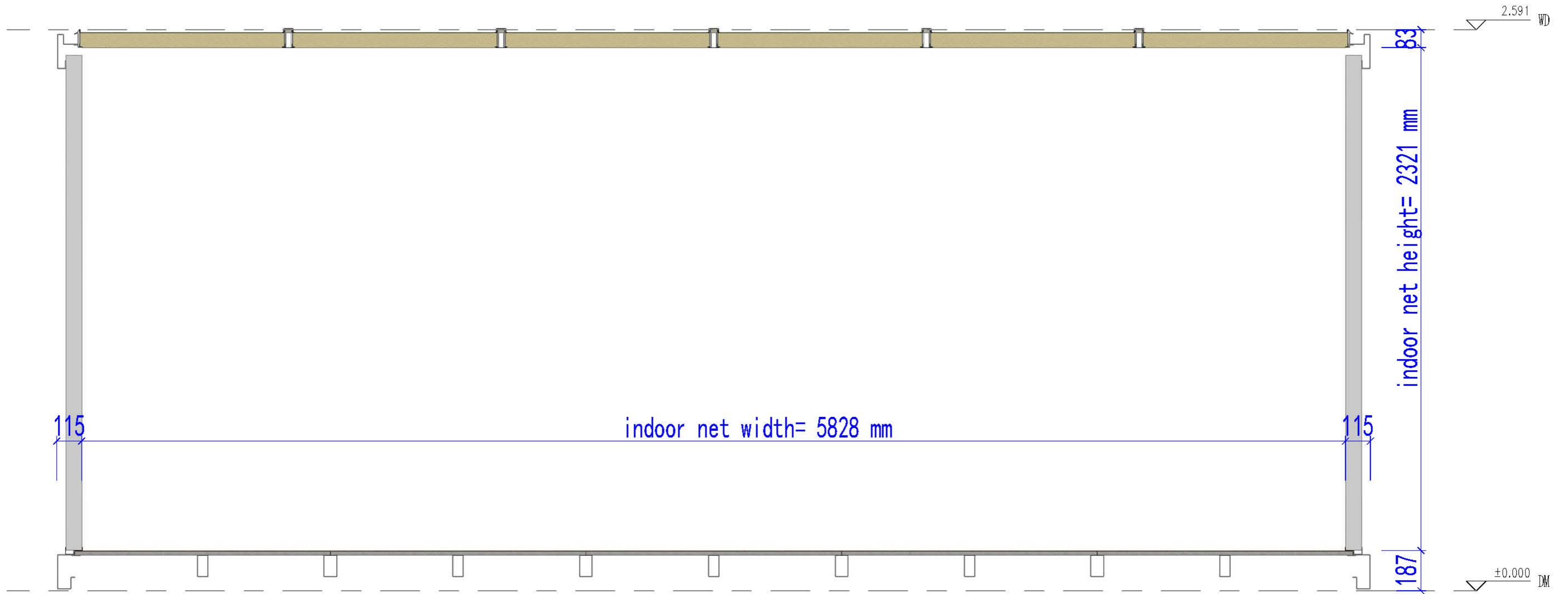
South view



West view



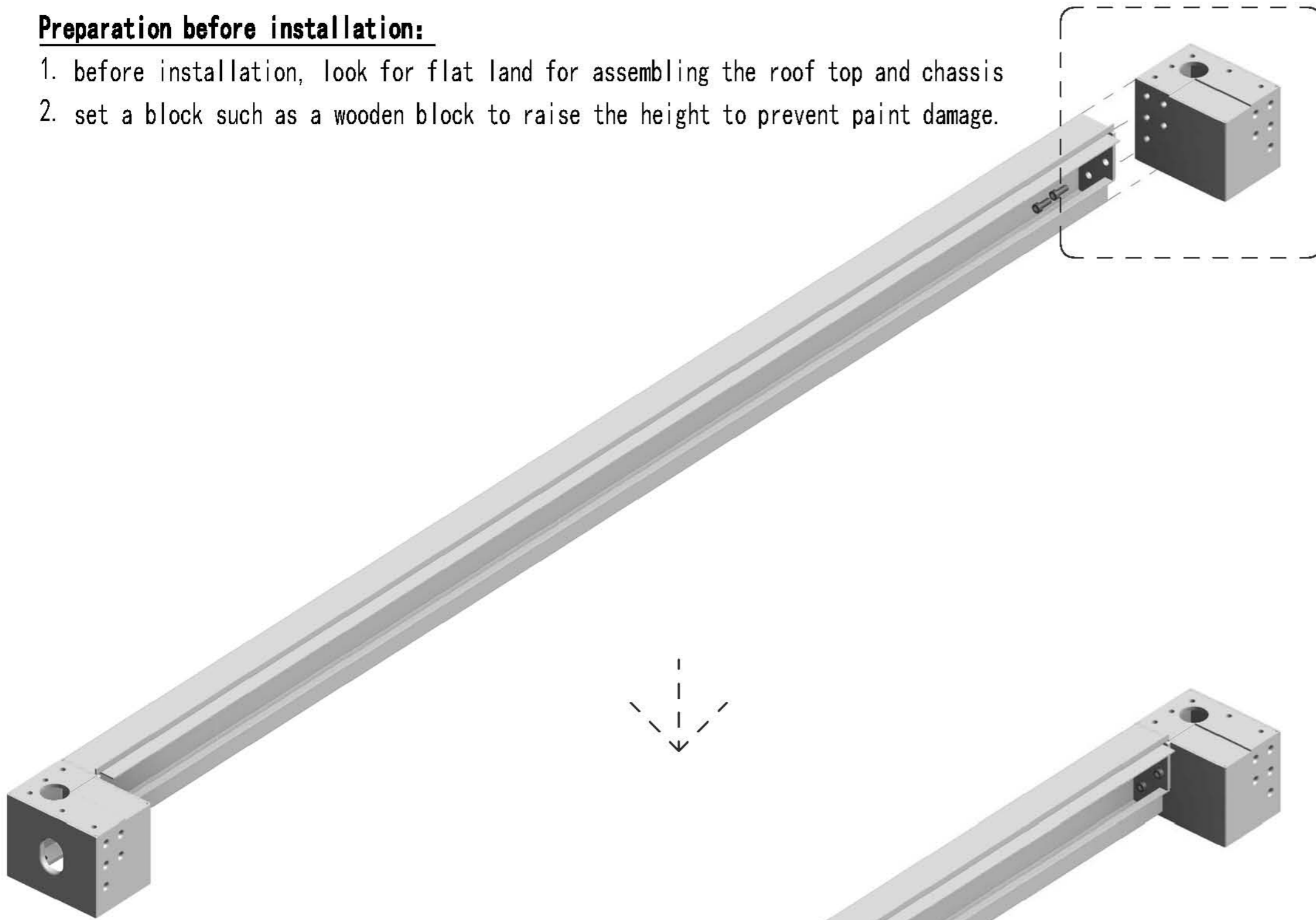
North view



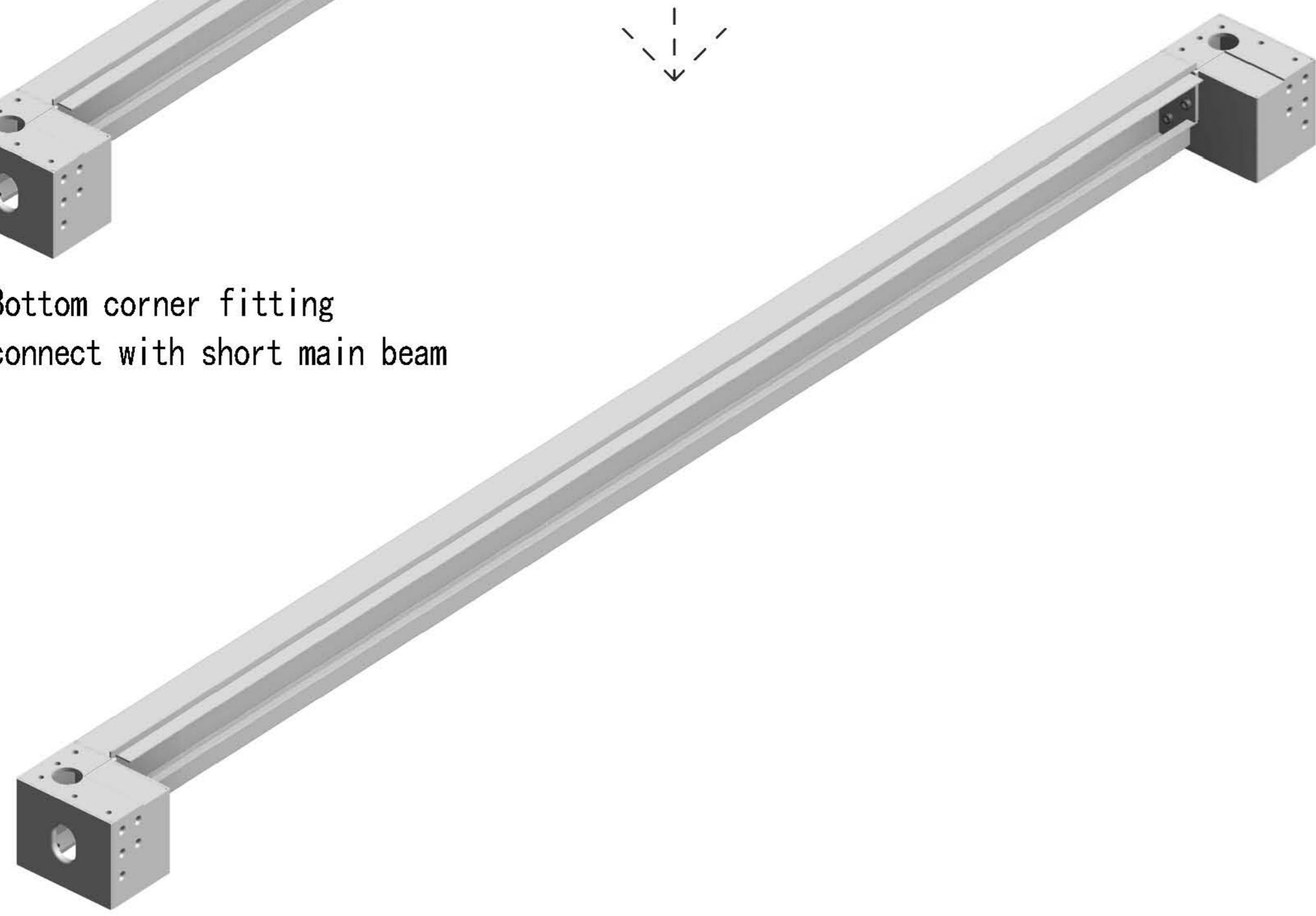
Section

**Preparation before installation:**

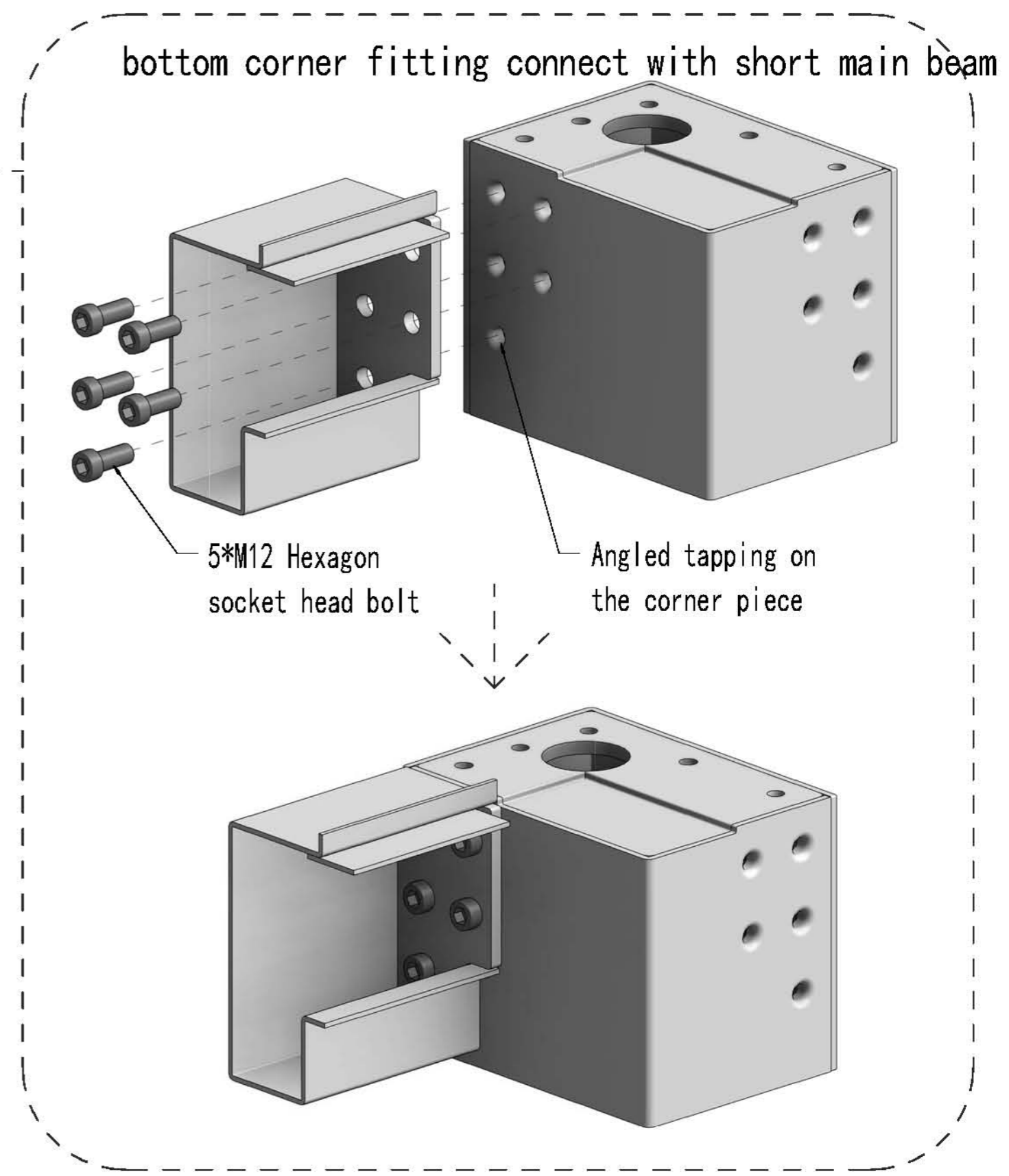
1. before installation, look for flat land for assembling the roof top and chassis
2. set a block such as a wooden block to raise the height to prevent paint damage.



Bottom corner fitting connect with short main beam



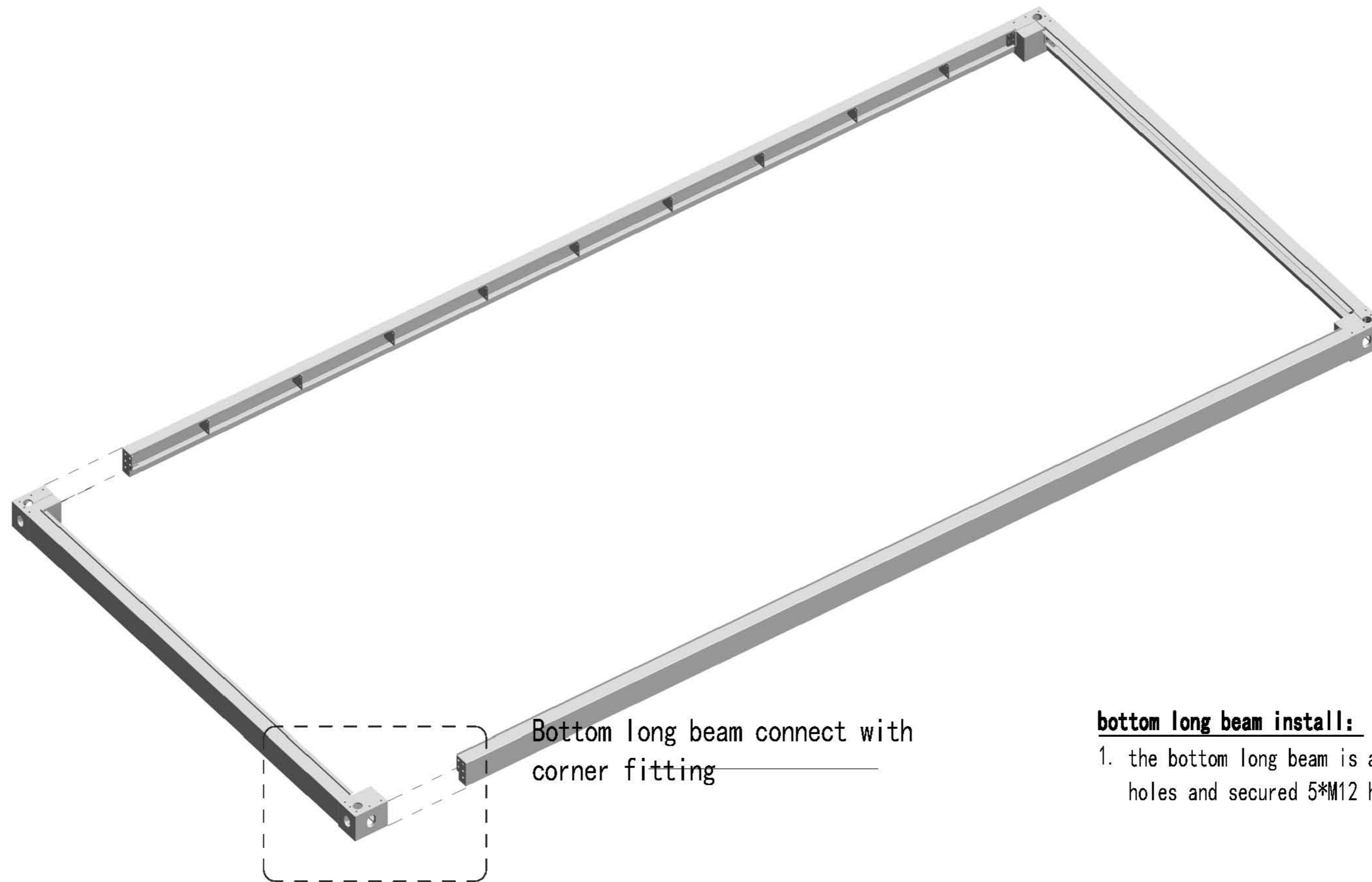
Bottom corner fitting connect with short main beam



**Bottom short beam installation:**

1. The bottom short beam is aligned with the corner bolt holes and secured with 5\*M12 hexagon socket head bolts
2. Note that the short main beam mounting surface is 210mm in size.

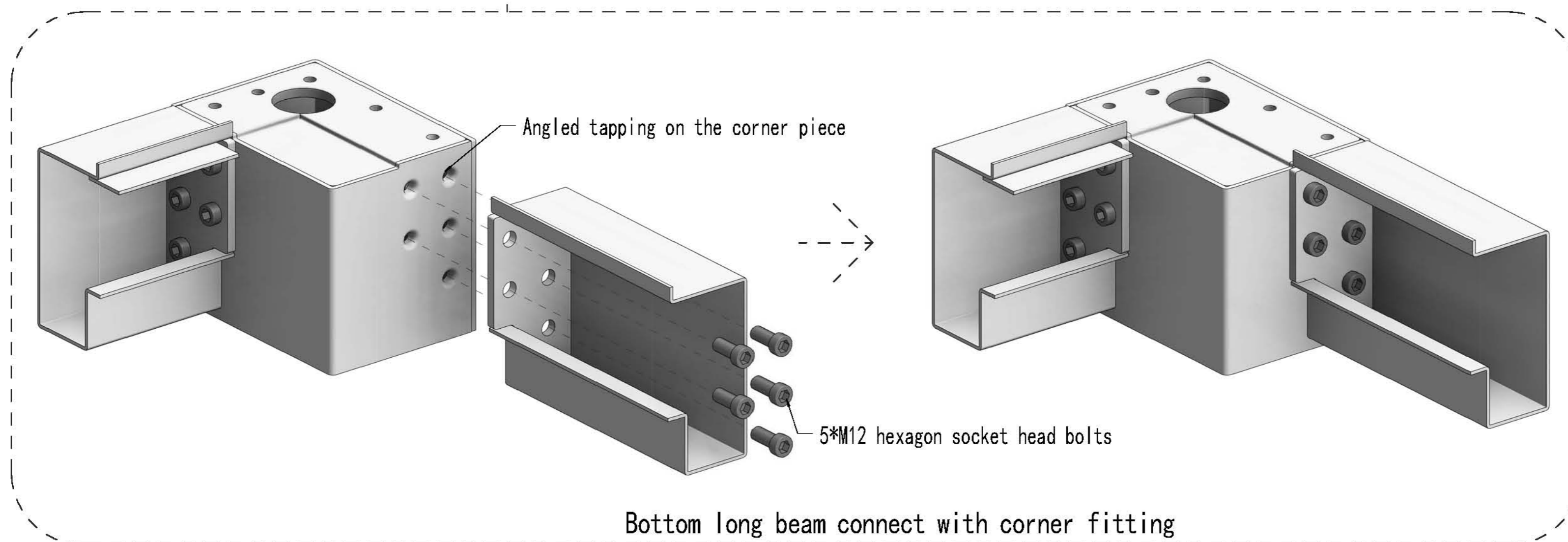




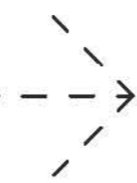
Bottom long beam connect with corner fitting

**bottom long beam install:**

1. the bottom long beam is aligned with the corner bolt holes and secured 5\*M12 hexagon socket head bolts

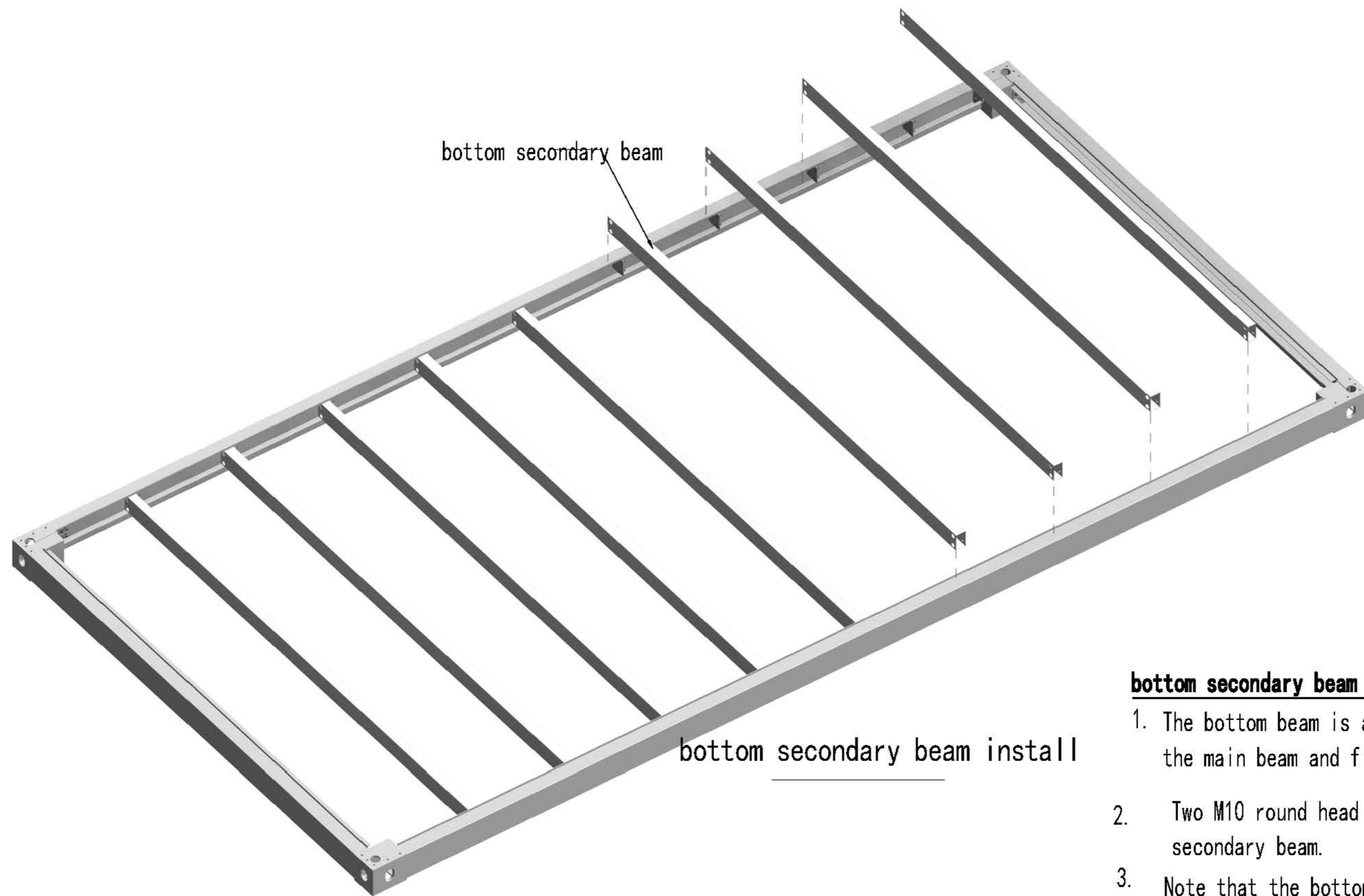


Angled tapping on the corner piece



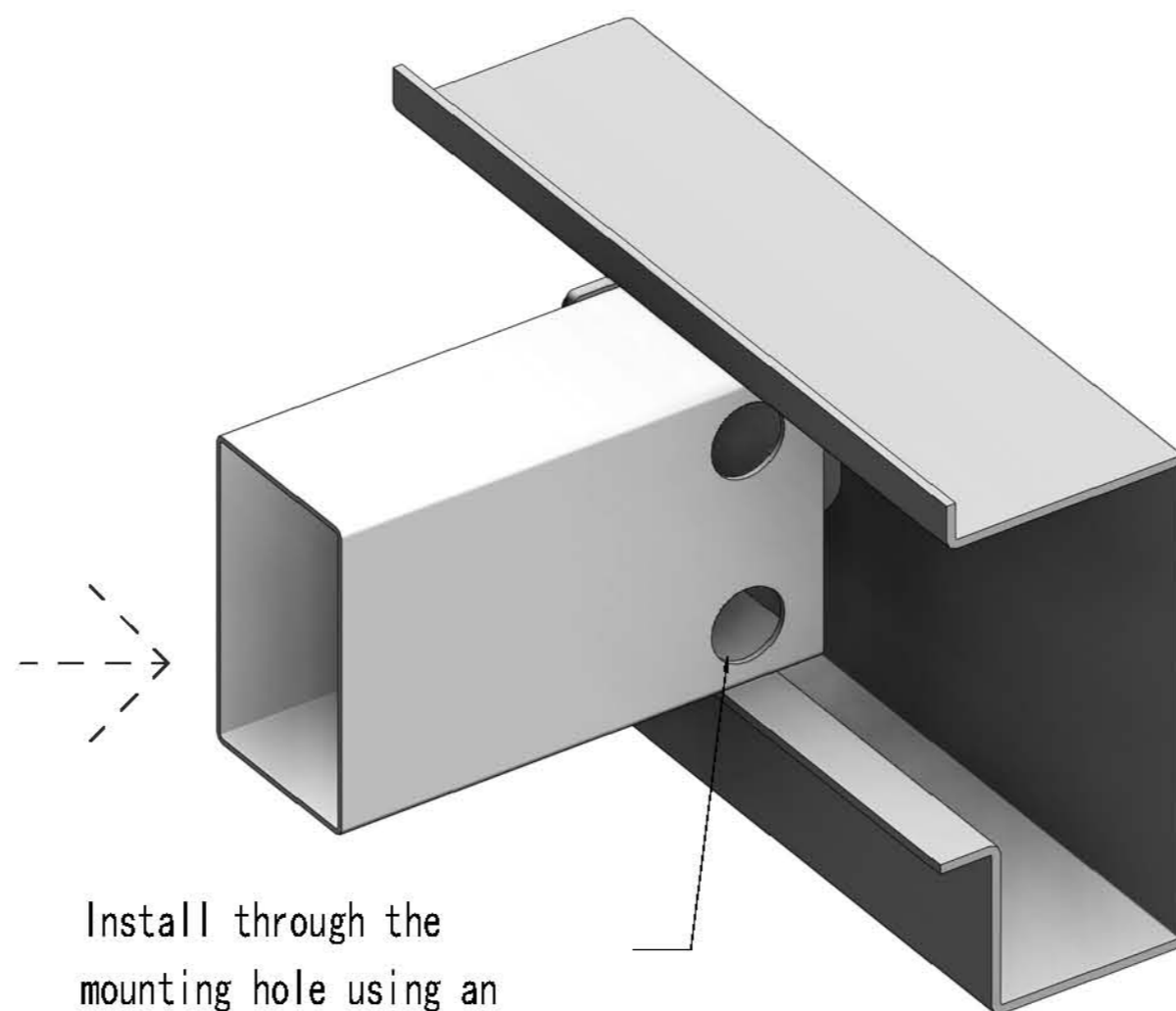
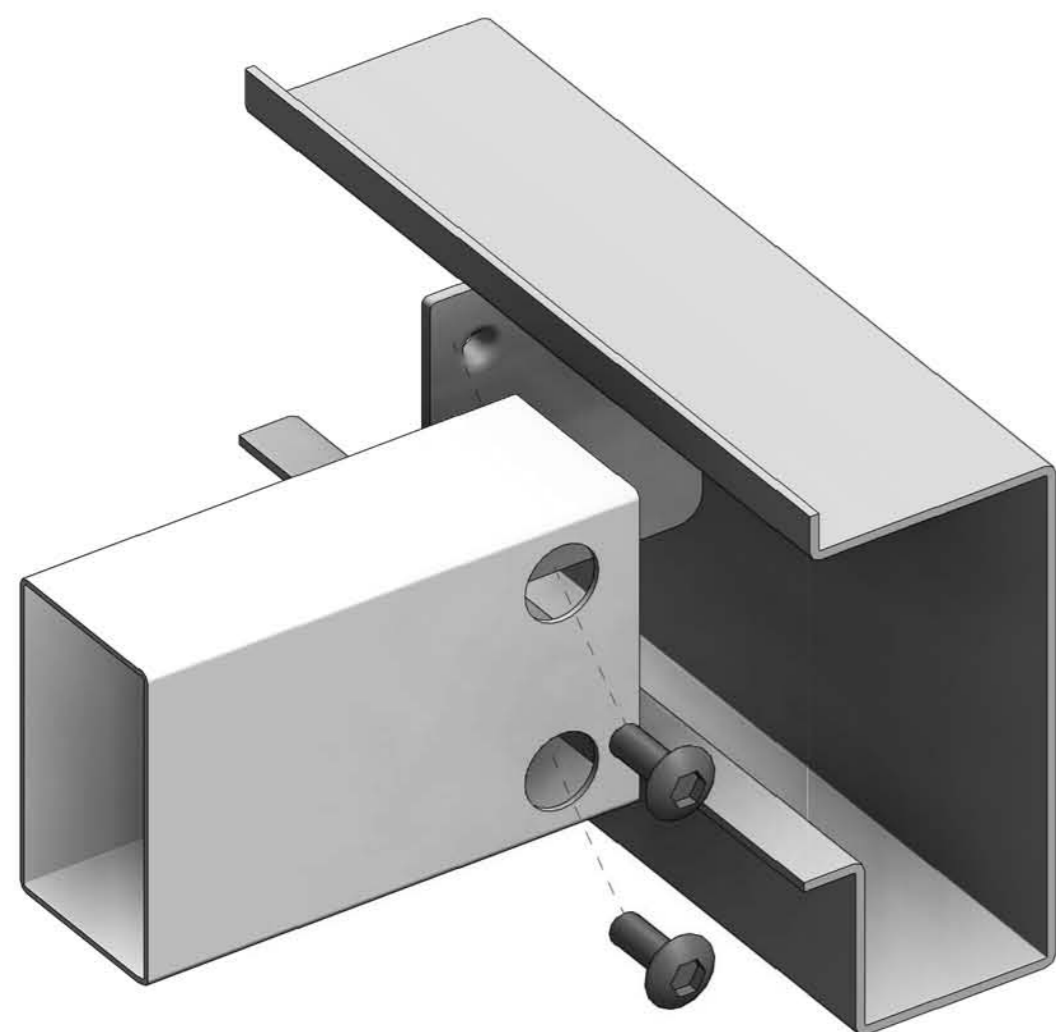
5\*M12 hexagon socket head bolts

Bottom long beam connect with corner fitting

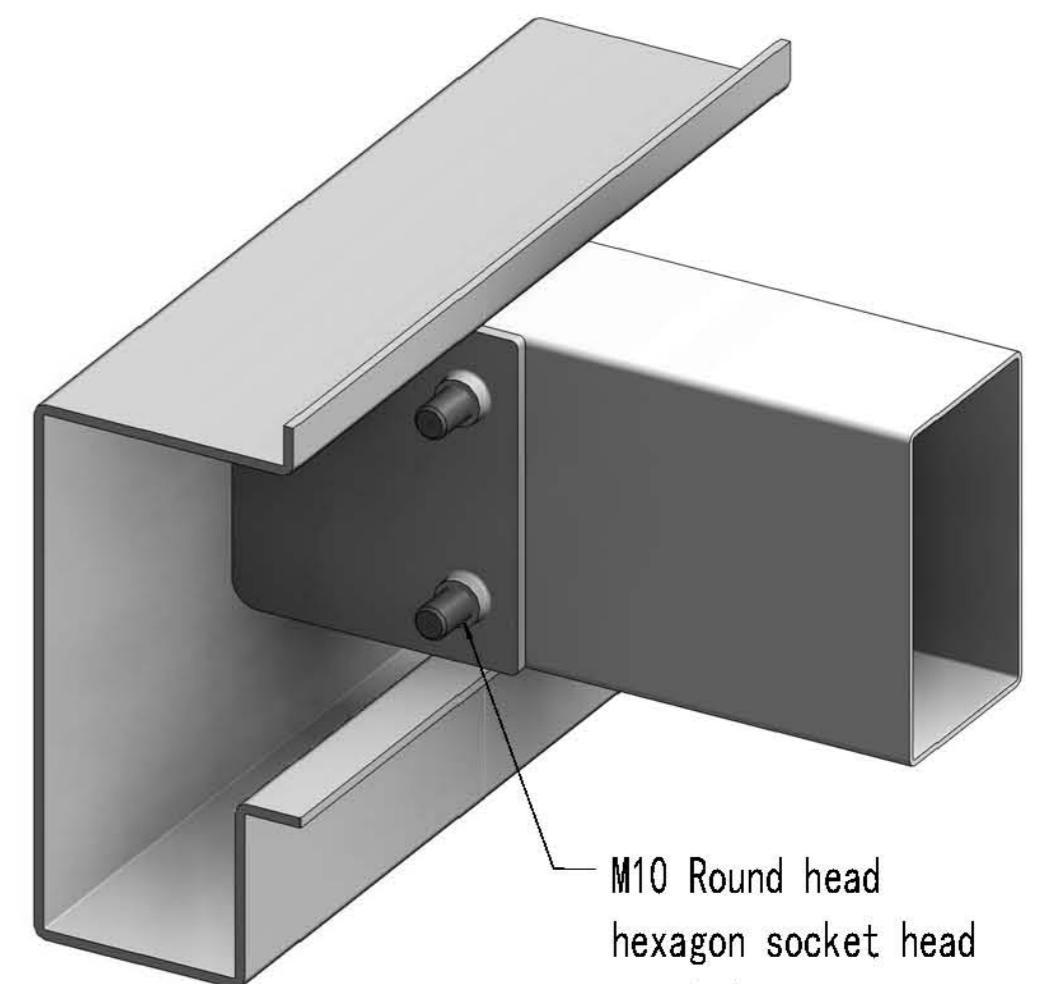


**bottom secondary beam install:**

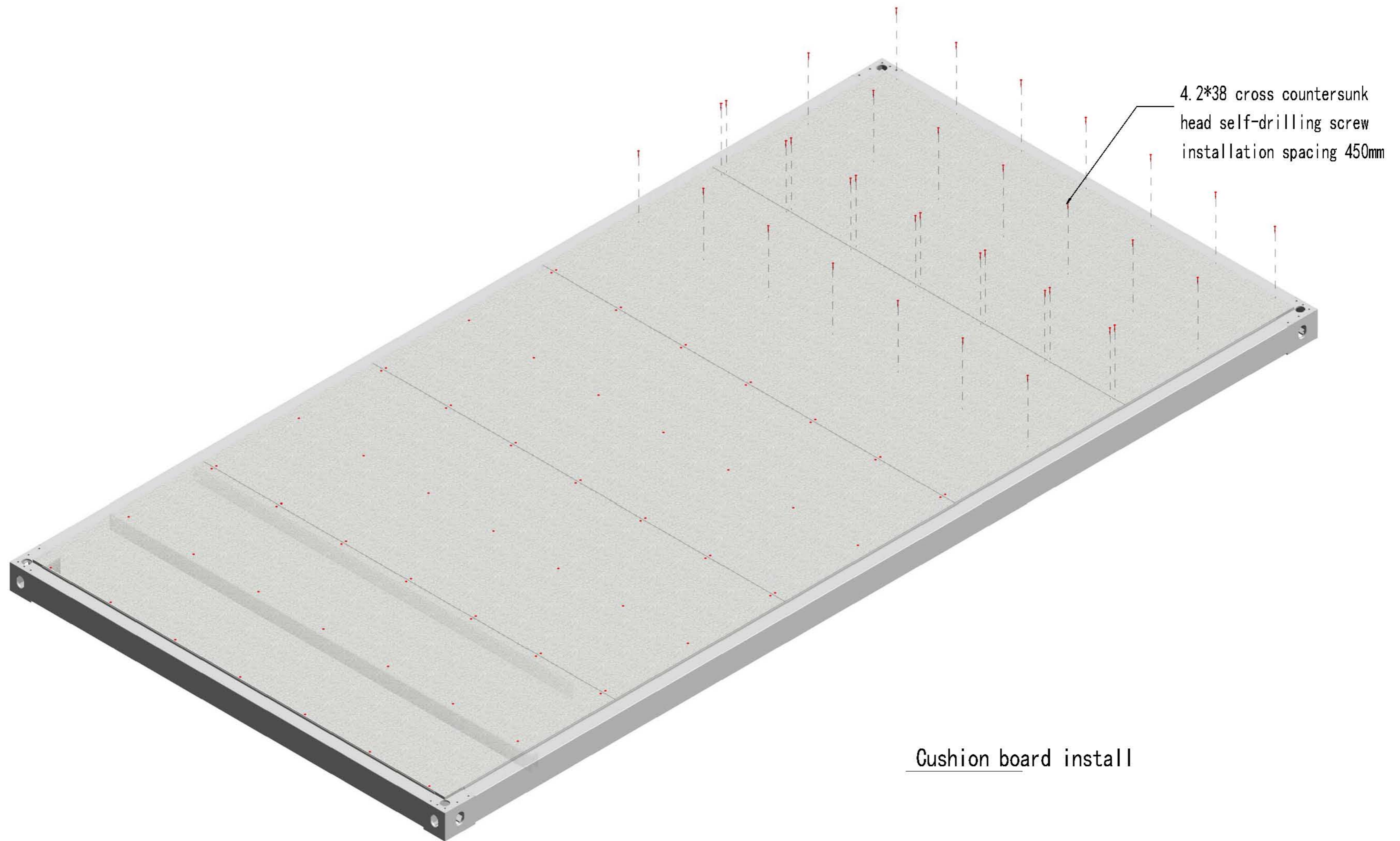
1. The bottom beam is aligned with the bolt holes at the connecting plate on the main beam and fixed with M10 round head hexagon socket head bolts.
2. Two M10 round head Hexagon bolts are used at the end of each secondary beam.
3. Note that the bottom beam has two width specifications (50mm/60mm), which need to be installed according to the secondary beam layout.



Install through the mounting hole using an Allen key





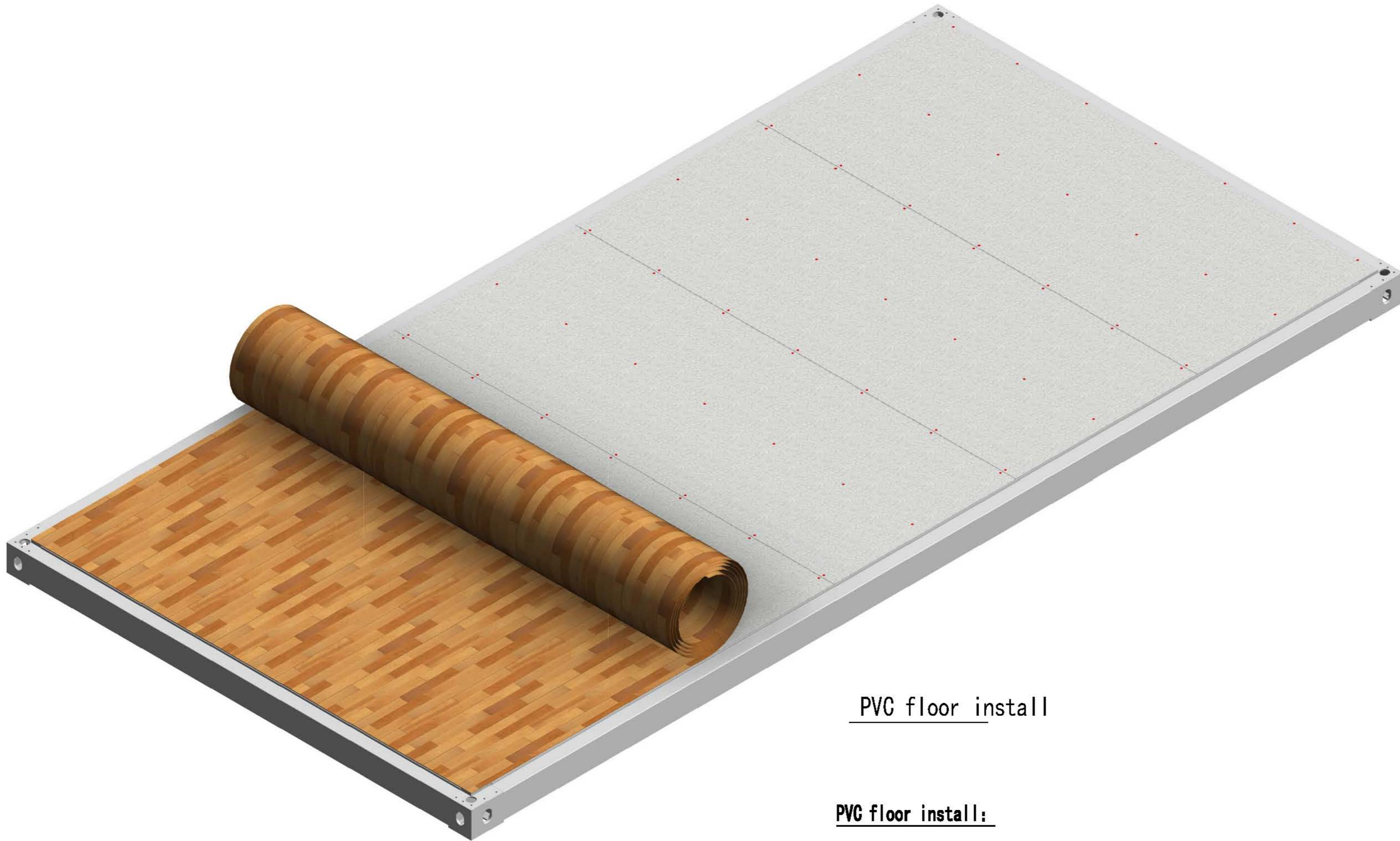


### Cushion board install

#### **Cushion board install:**

1. The cushions are standard and uniform in size and easy to install.
2. Single-layer cushion board with 3 rows of 4.2x38 cross countersunk head self-drilling screws, spacing 450mm
3. Leave a gap of about 1~2mm before the cushion board for easy adjustment and thermal expansion and contraction.





## PVC floor install

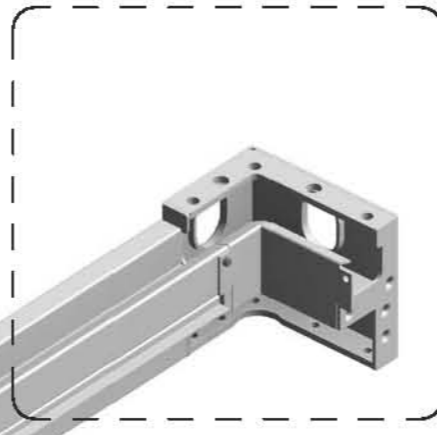
### PVC floor install:

1. Before laying the cushion board, evenly apply the A2 or A3 sawtooth scraper and evenly apply the floor glue. The glue usage is 280~300g/m<sup>2</sup>
2. After the floor glue is evenly applied, wait for 20~40min according to the temperature. After the glue is initially set, the PVC floor will be laid.
3. After laying the floor, use a wooden drum to roll to remove the incoming air, ensuring that the glue is fully bonded to the mat.
4. Allow to stand for 24 hours and cure for 48 hours.

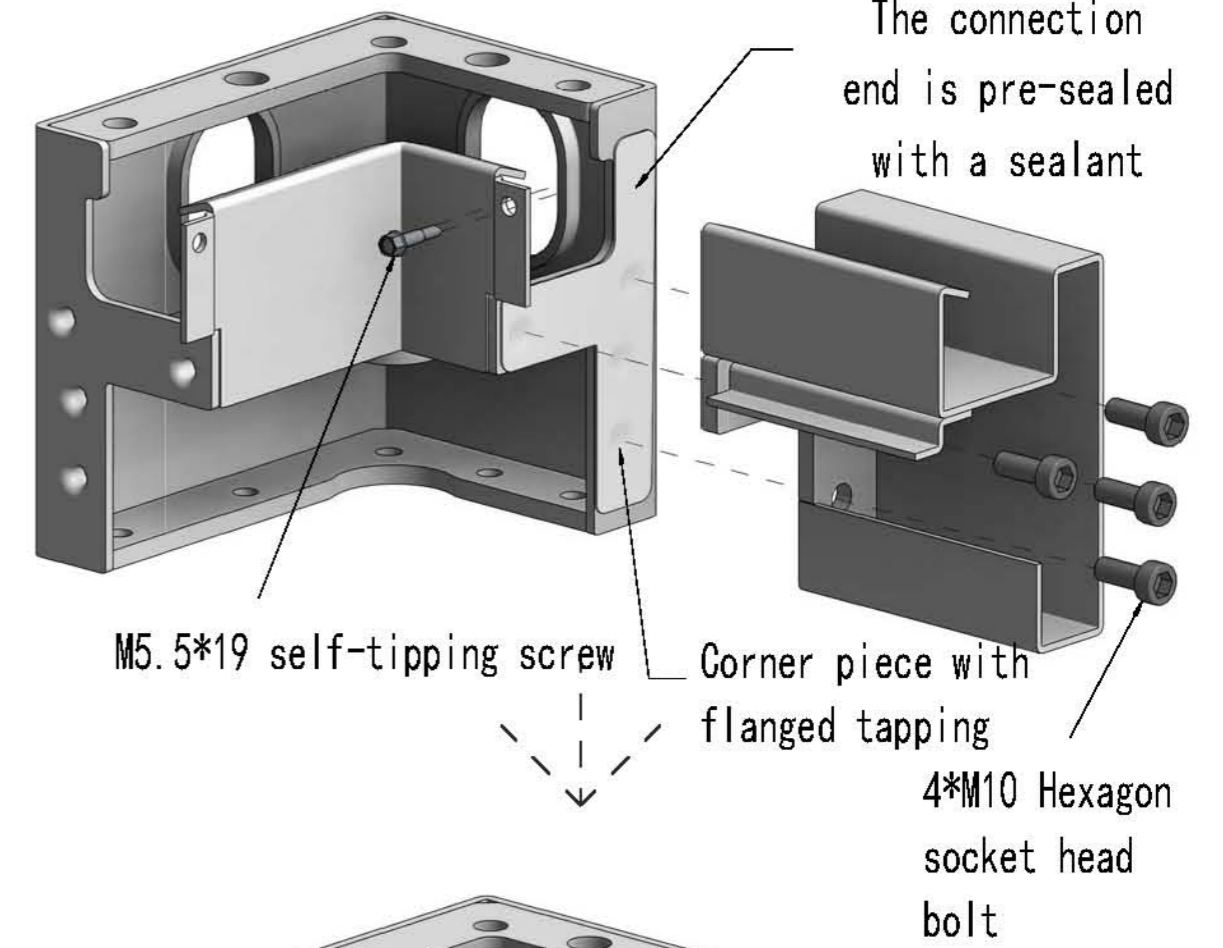


**Preparation before installation:**

1. Before installation, look for flat land for assembling the roof top and chassis
2. set a block such as a wooden block to raise the height to prevent paint damage.



top corner fitting connect with top short beam



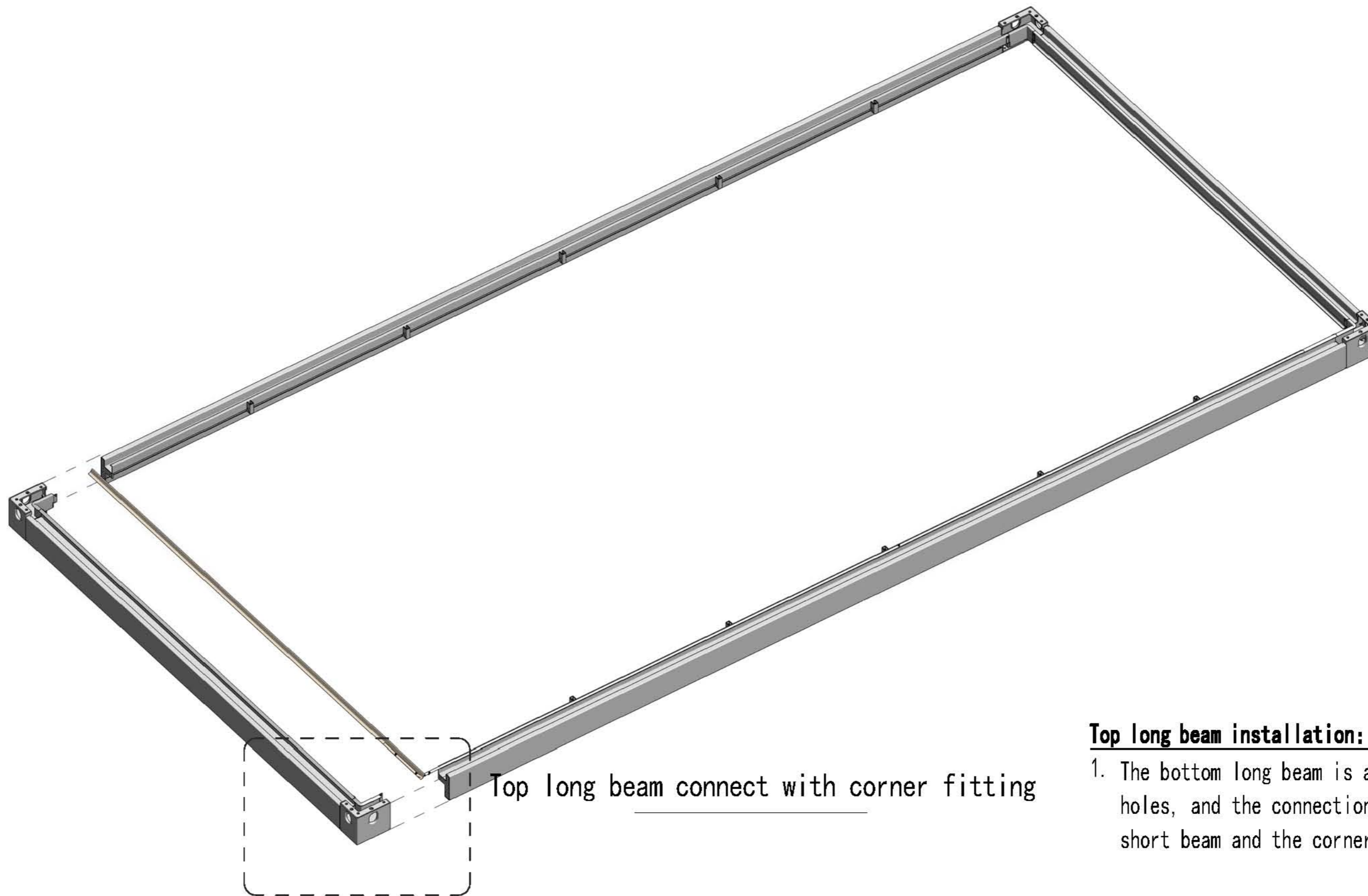
top corner fitting connect with top short beam

top corner fitting connect with top short beam

**Ttop short beam :**

1. The top short beam is aligned with the corner bolt holes and secured with 4\*M10 hexagon socket head bolts
2. After the hexagon socket is connected, the side is locked with a self-tapping screw.
3. The joint between the corner piece and the main beam and the bolt connection position shall be sealed with a sealant.
4. Note that the short main beam mounting surface is 210mm in size.

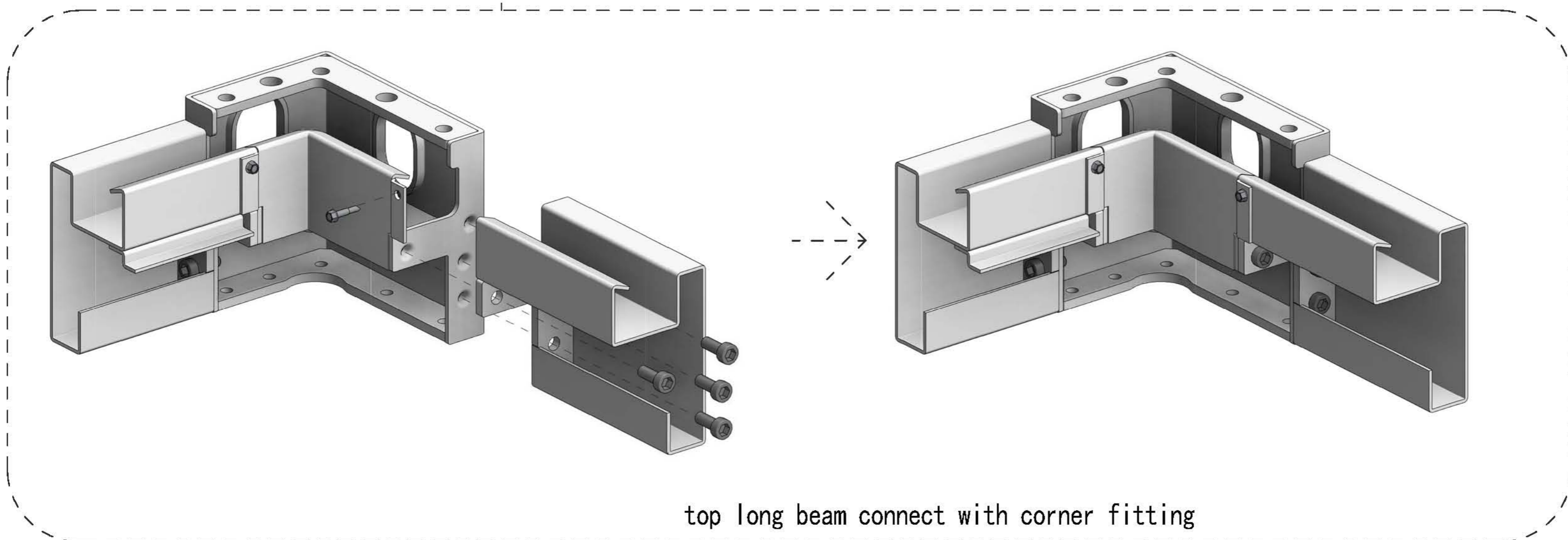




Top long beam connect with corner fitting

**Top long beam installation:**

1. The bottom long beam is aligned with the corner bolt holes, and the connection is equivalent to the bottom short beam and the corner piece.



top long beam connect with corner fitting

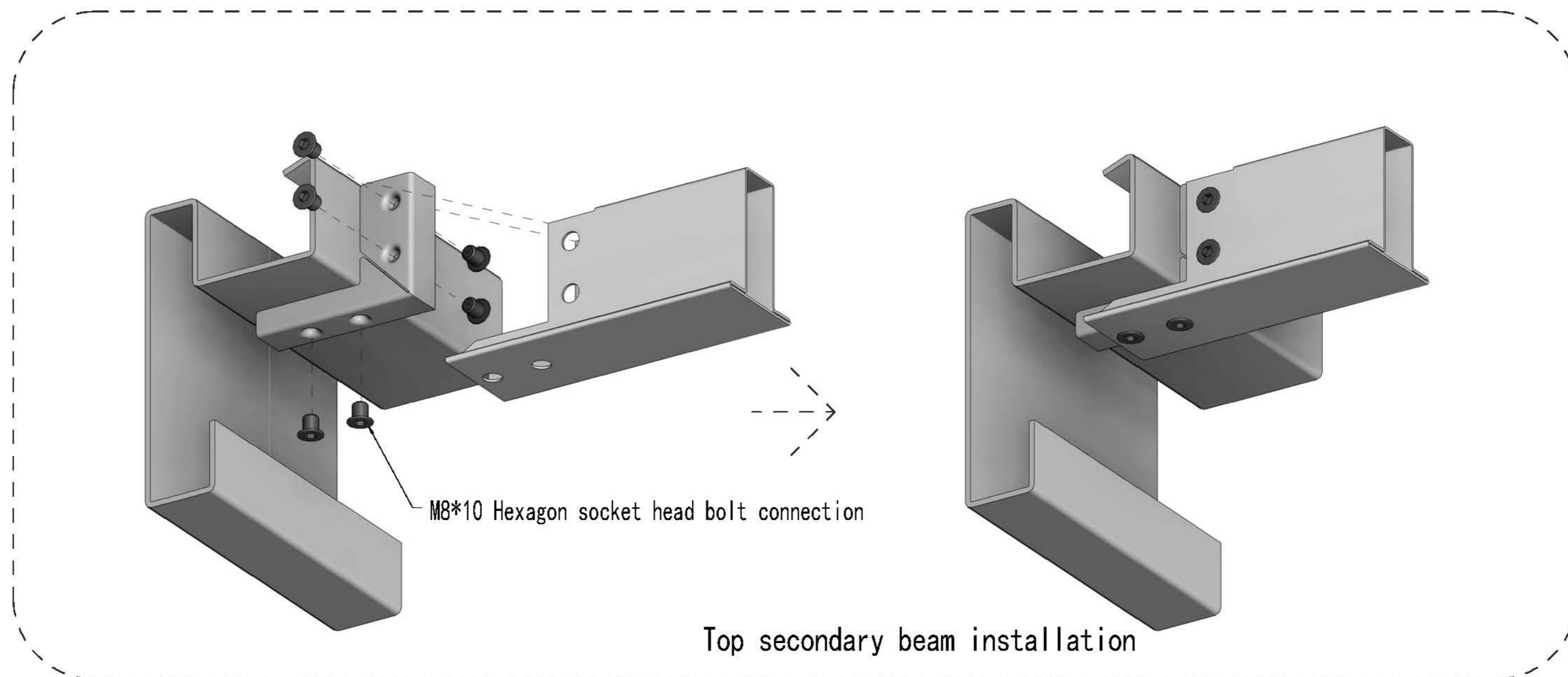




Top secondary beam installation

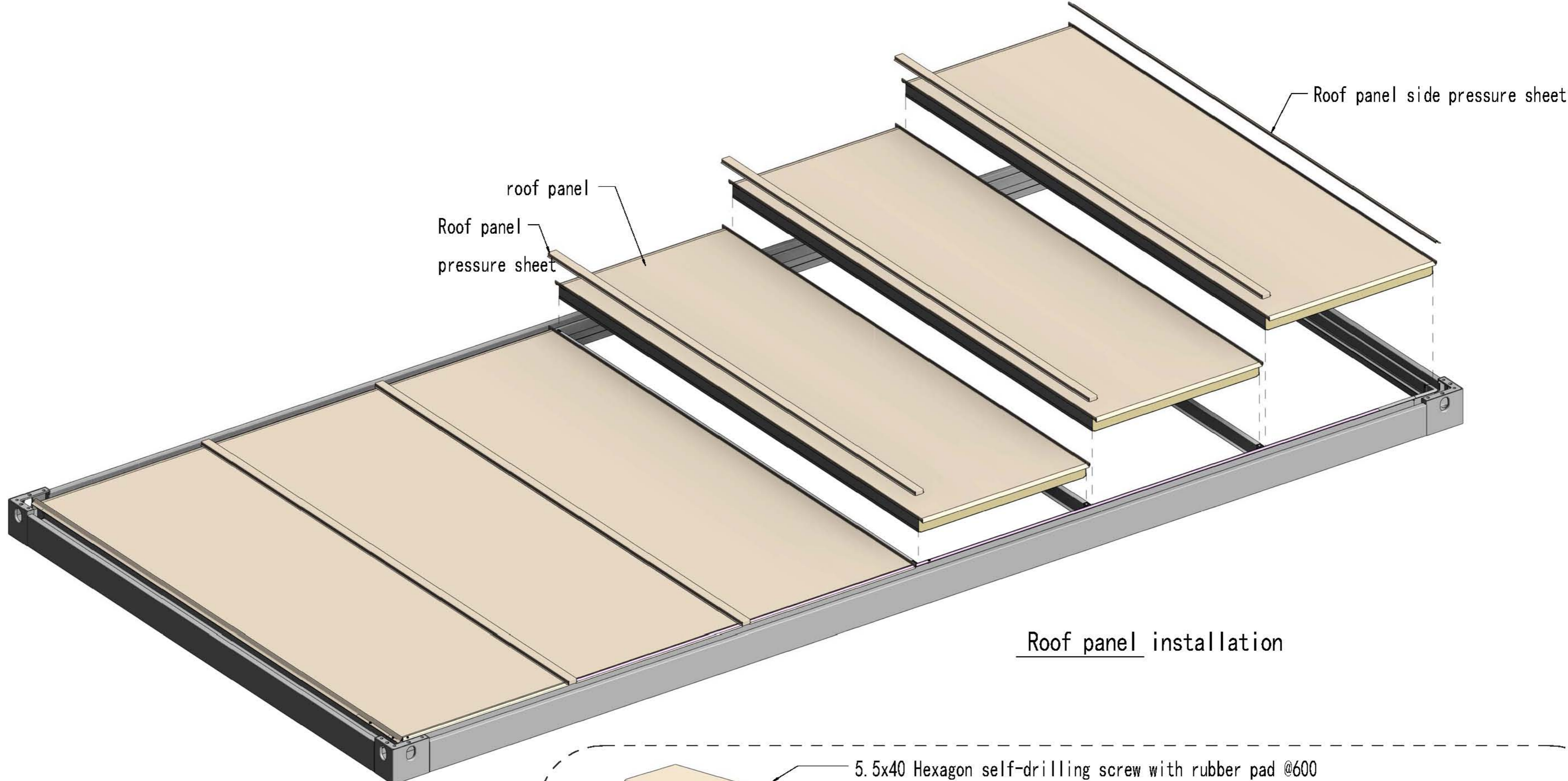
**Top secondary beam installation:**

1. The top beam is inserted into the connector from the lower part and secured with an M8 hexagon socket countersunk head bolt.
2. The single top beam is connected with 12 countersunk bolts. Be careful not to forget the bottom 2 bolts (the bottom bolts can be installed when lifting the assembled frame).



Top secondary beam installation

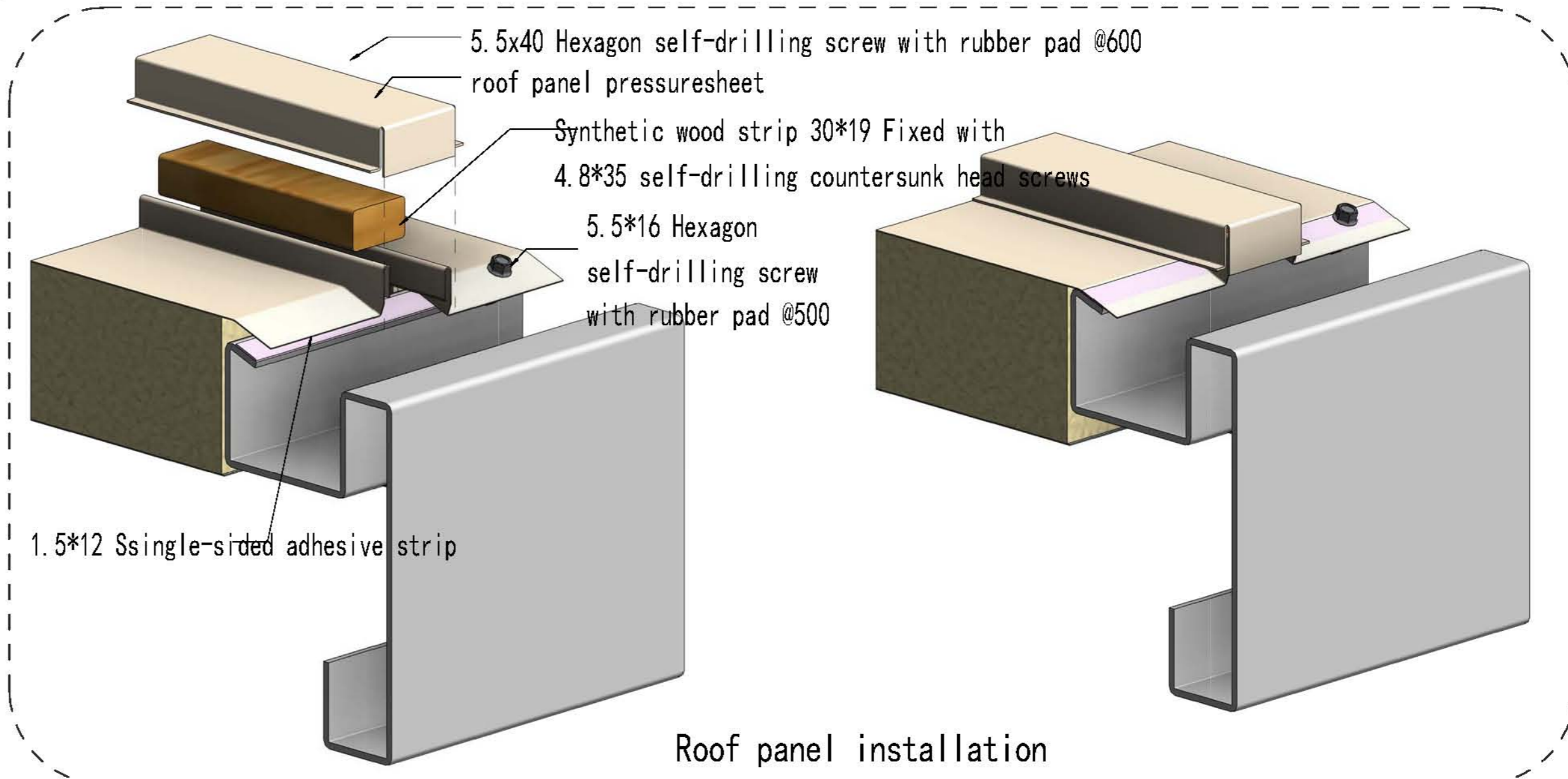




Roof panel installation

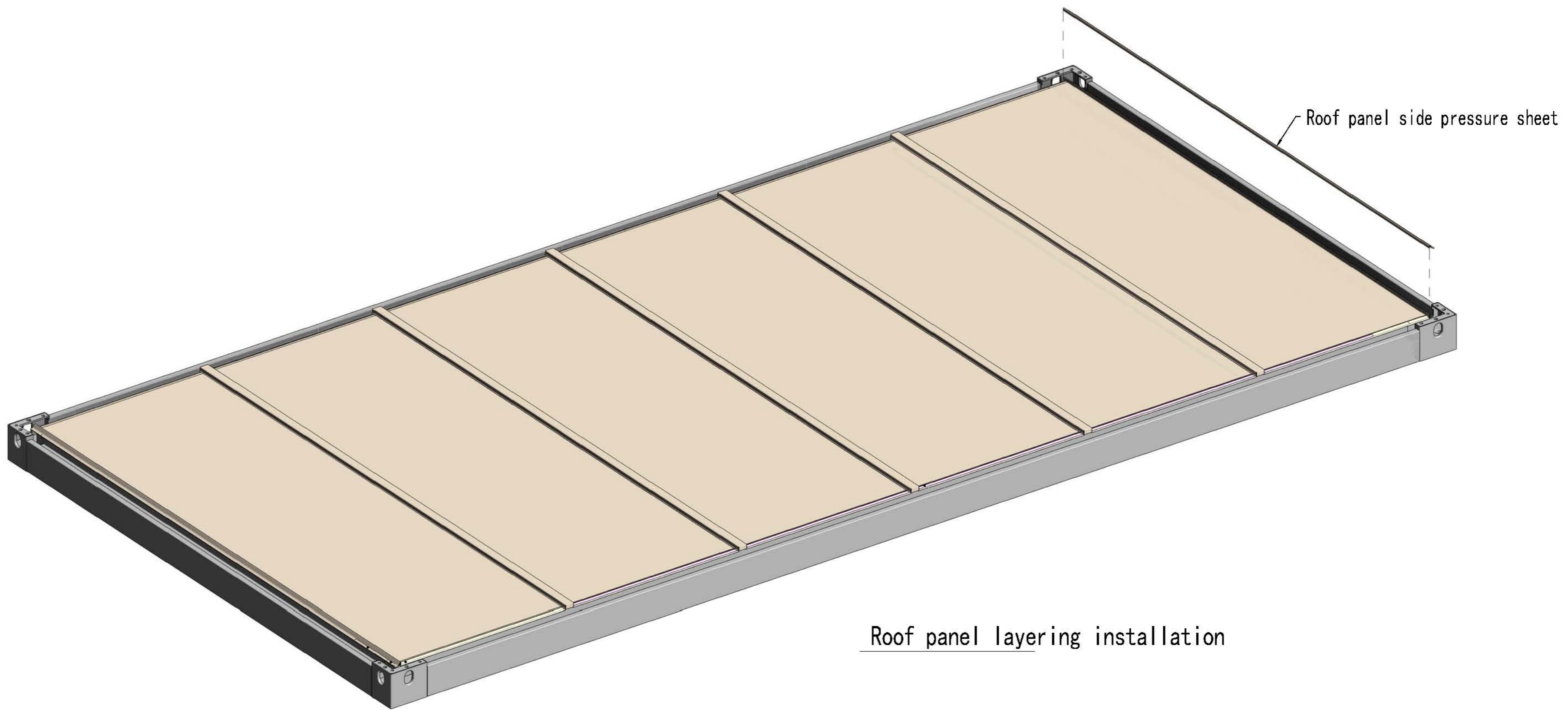
**Roof panel installation:**

1. The roof panels are placed in the corresponding positions and connected using self-drilling screws.
2. uper of top secondary beam add 30\*19mm synthetic wood strip



Roof panel installation

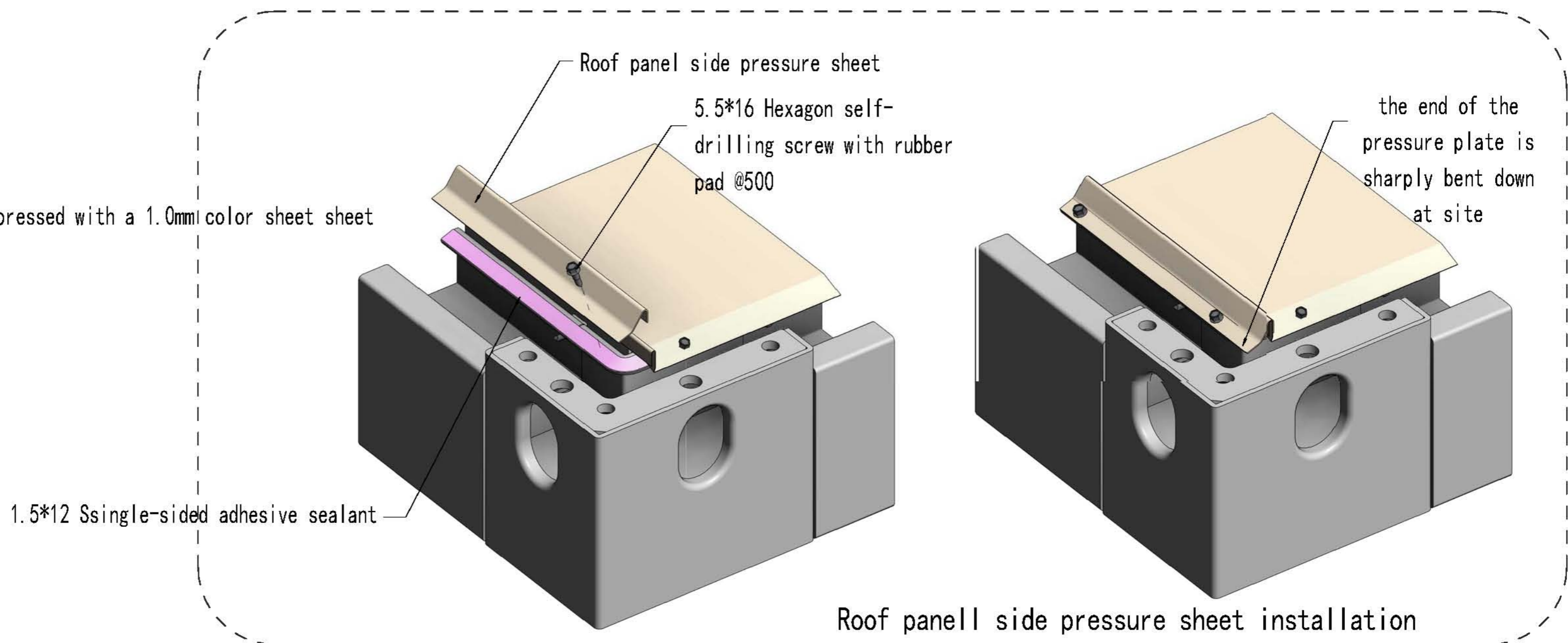




Roof panel layering installation

**roof side panel install:**

1. The side of the roof panel is pressed with a 1.0mm color sheet sheet



Roof panell side pressure sheet installation